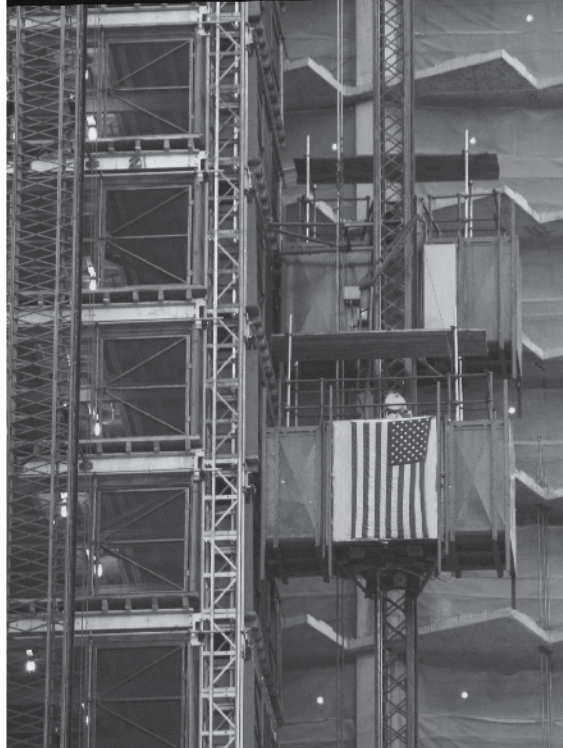
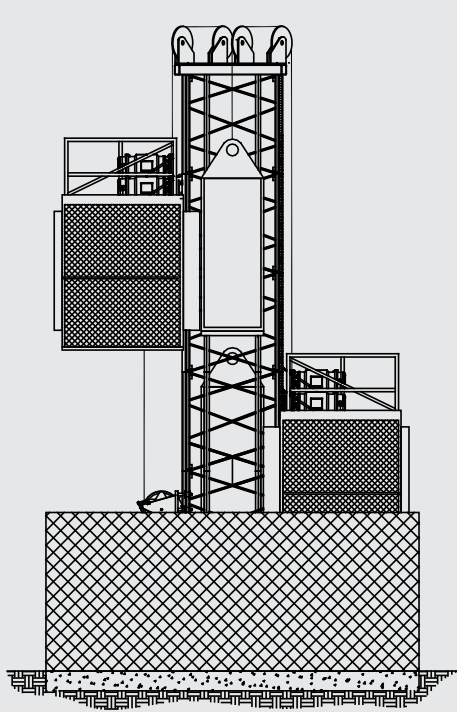


SafCar™ Personnel/Material Hoist

Model US 8002-2R

Single/Dual Car

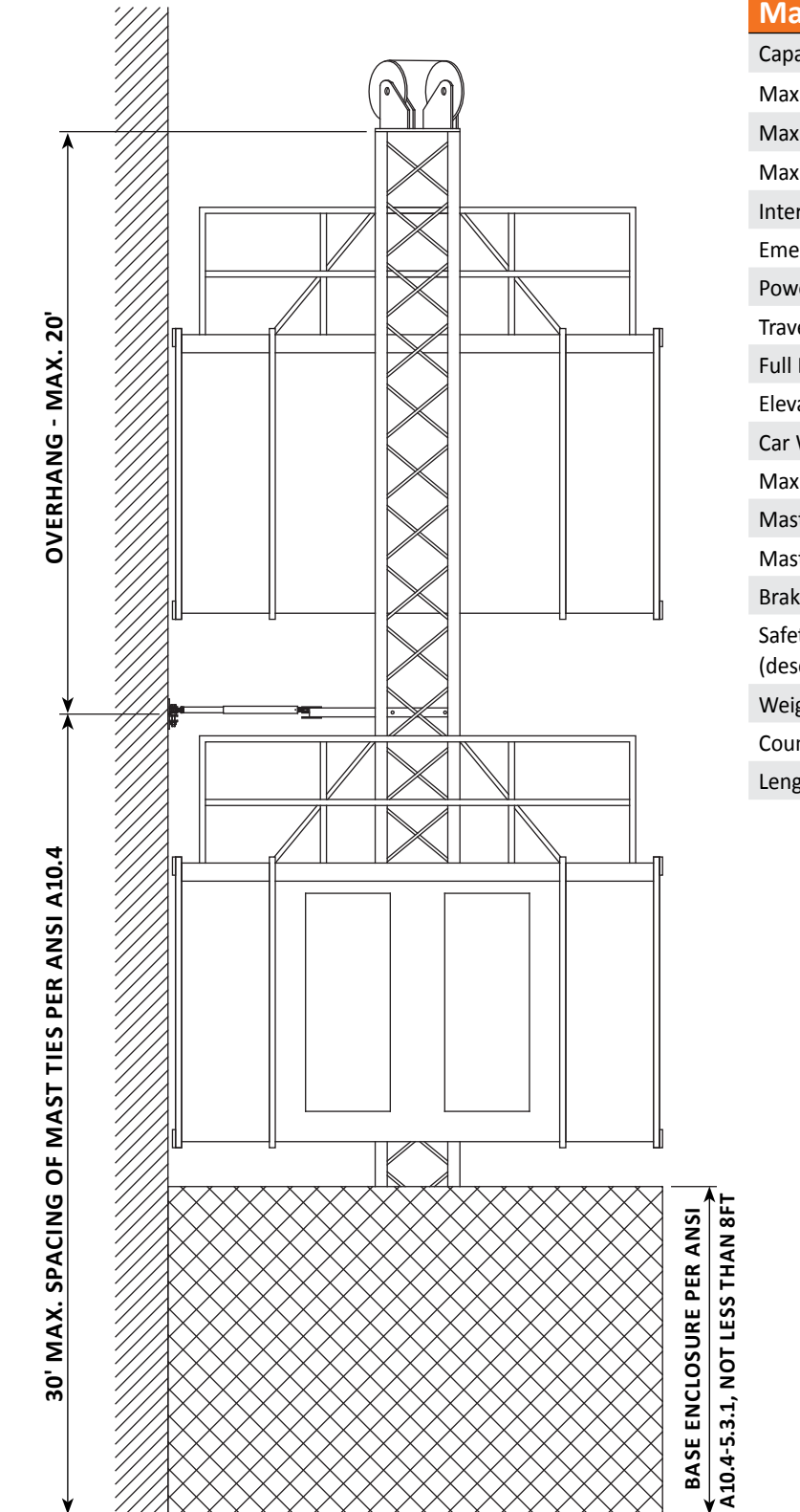


THE SMART WAY™



Personnel / Material Hoist

Specifications US 8002-2R



Manufacturers Model US 8002 Car

Capacity (Safe Working Load - lbs)	8,000
Maximum Passengers	40
Maximum Car Speed (ft./min)	300
Maximum Tower Height (ft.)	1000
Interior Dimensions LxWxH	14' x 5'7" x 7'2"
Emergency Trap Door	40 sq. in.
Power Requirements Per Car	100amps @ 480V - 60Hz - 3 PH
Traveling Power Cable	6/6
Full Load Current Per Car	100 amps
Elevator Drive	Rack & Pinion
Car Weight (lbs.)	7,300
Maximum Tie-In Spacing	30'
Mast Section Dimensions	60" x 28" x 56"
Mast Section Weight (lbs.)	565
Brake (description)	Electromechanical Multiple Disc
Safety Overspeed Governor (description)	Centrifugally Actuated Multiple Friction Disc Brake
Weight of Counterweight (lbs.)	9,900
Counterweight Wire Rope	3/4"
Length of Counterweight Rope	4x Tower Ht. +40'

Features:

- Spring-set disc brake on hoist motor
- Speed governor overspeed switch
- Gate switches preventing operation of hoist with open doors
- Base enclosure
- Buffer stand and springs
- Power cord guide wheel assembly

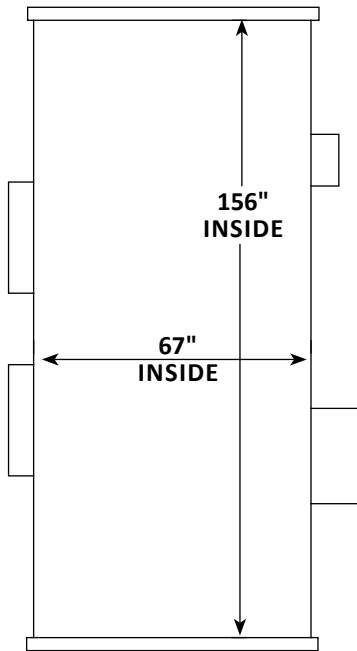
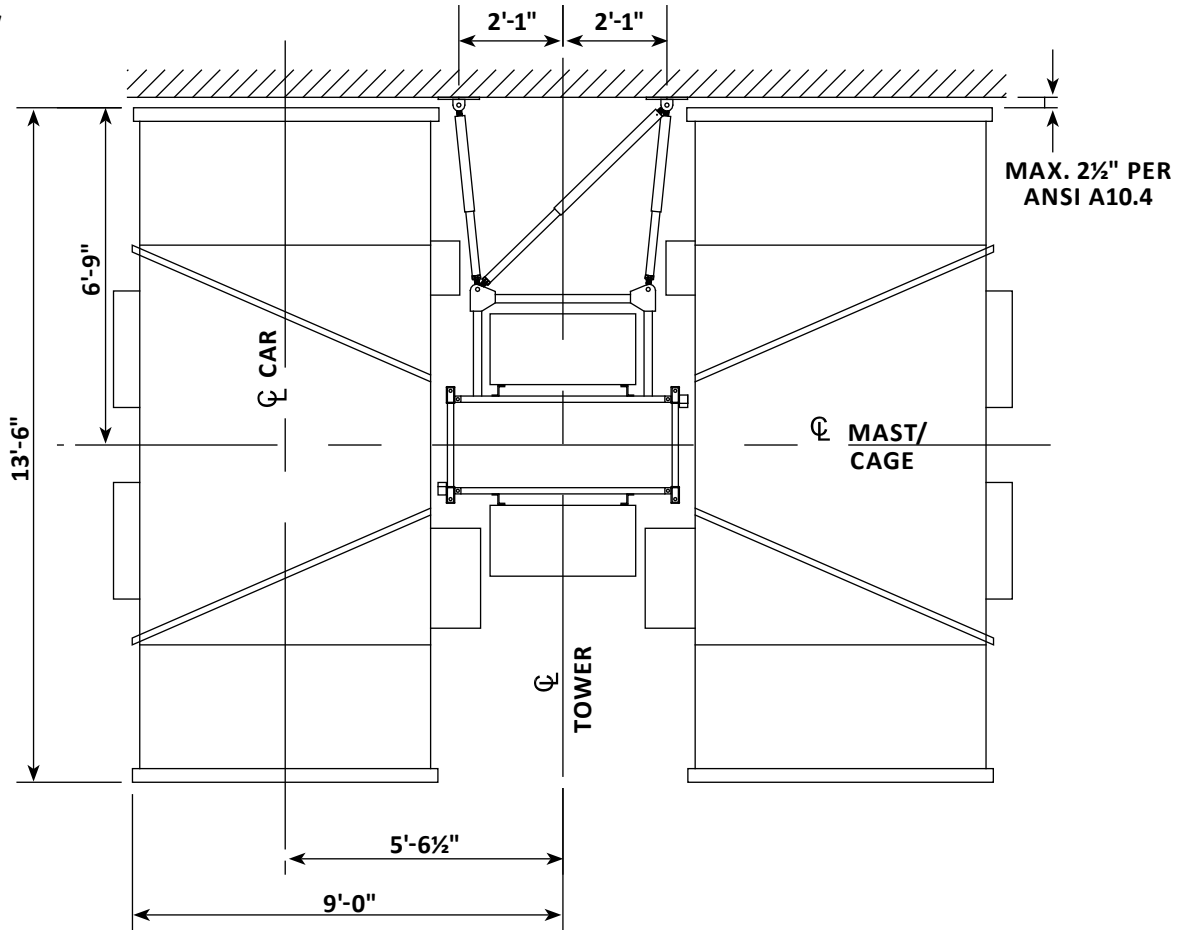
Optional Features & Services:

- Base platform and stairs
- Building landing gates
- Communication or signal system
- Preventative Maintenance
- Drop Test & Test Weights

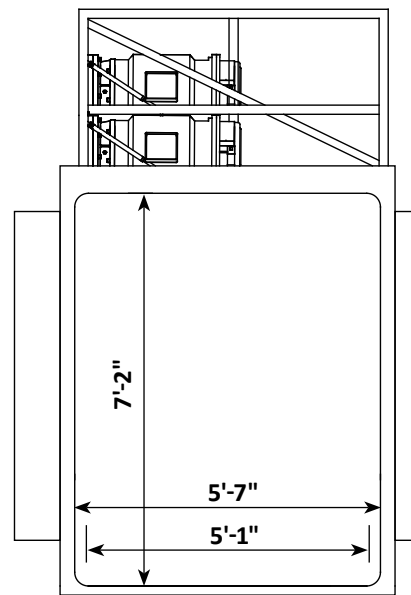
Personnel / Material Hoist

Specifications US 8002-2R

Plan View



HOIST INSIDE DIMENSIONS
PLAN VIEW

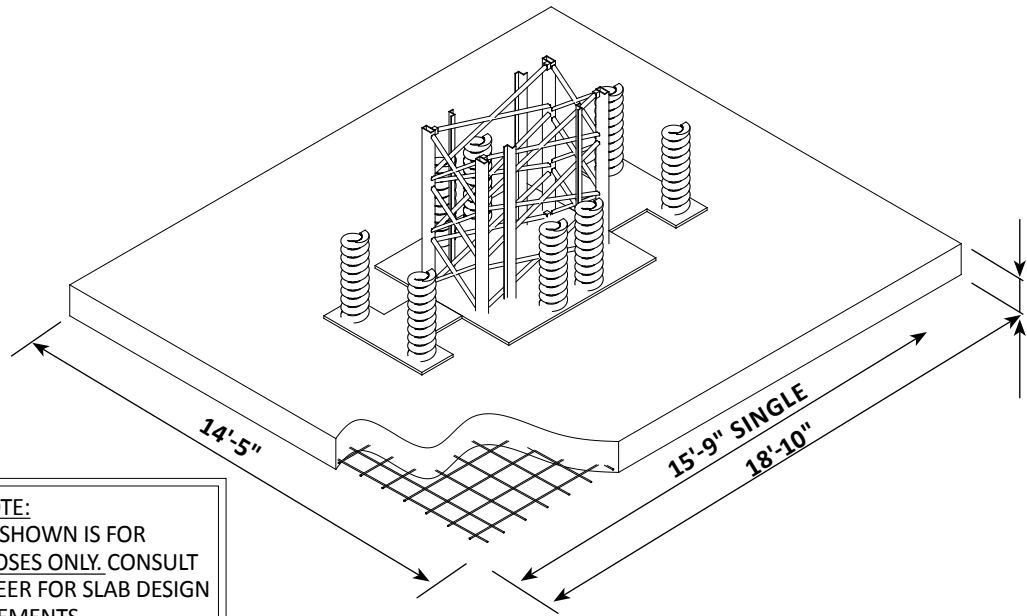


HOIST INSIDE DIMENSIONS
END VIEW

Personnel / Material Hoist

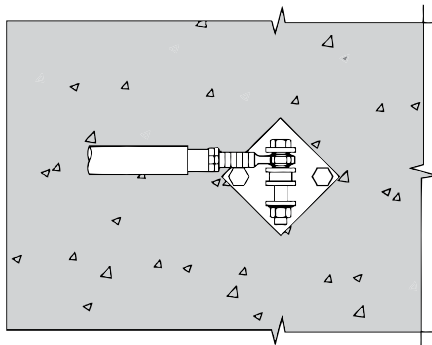
Specifications US 8002-2R

Foundation

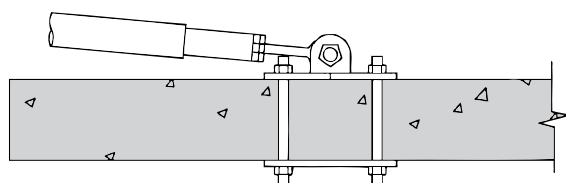


Mast Bracing Connections

Top or bottom of slab

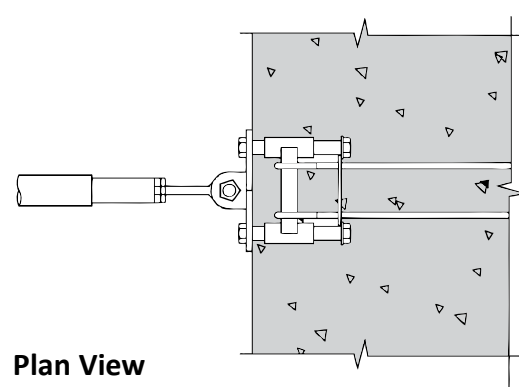


Plan View

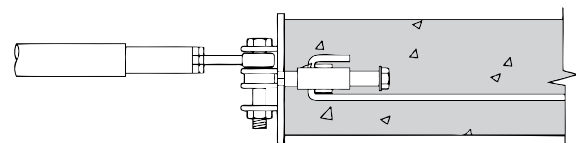


Elevation

Edge of slab w/embed anchor



Plan View



Elevation

Safway Group Holding LLC
N19 W24200 Riverwood Drive
Waukesha, WI 53188
Toll free: (800) 558-4772
Telephone: (262) 523-6500

Visit our website at www.safwaygroup.com

©2015 Safway Group Holding LLC. All rights reserved.

All drawings in this guide are for illustrative purposes only. This guide is intended for general information purposes only. Because of the many variables which affect the performance of the product line, some of the information in this brochure may not apply. For specific applications, contact Safway.
Note: All scaffolds shall be erected, modified and dismantled only under the supervision of a Competent Person. Erection, use, maintenance and disassembly must conform to current manufacturer's instructions as well as all federal, state, provincial and local regulations. Copies of complete Safety Guidelines for these and other products are available from Safway without charge.