

# Retractable Lifeline Bracket (SRLB) Installation Instructions

## **⚠ WARNING**

SERIOUS INJURY OR DEATH CAN RESULT FROM FAILURE TO FAMILIARIZE YOURSELF AND COMPLY WITH ALL APPLICABLE SAFETY REQUIREMENTS OF FEDERAL, STATE, PROVINCIAL AND LOCAL REGULATIONS AND THESE INSTRUCTIONS BEFORE ERECTING, USING OR DISMANTLING THIS SCAFFOLD. INSTALLATION AND DISMANTLING MUST BE DONE UNDER SUPERVISION OF A COMPETENT PERSON EXPERIENCED IN SCAFFOLD ERECTION AND DISMANTLING.

- DO NOT USE IN ANY OTHER FASHION OR WITH ANY OTHER COMPONENTS WITHOUT CONSULTING SAFWAY.
- SRLB IS NOT INTENDED TO BE USED AS A HOIST ARM.
- DO NOT OVERLOAD. SRLB IS RATED FOR 900 LB. ARREST FORCE.
- SRLB MUST BE INSTALLED DIRECTLY ABOVE ACCESS LADDER.

Please read and follow these instructions before installing, using or dismantling this bracket.

### Prior to Installation

1. Customer must check and verify that the existing structure can safely support all tie loads imposed on it by the scaffold.

### Product Inspection

1. SRLB shall be inspected by a qualified person before each use and periodically during use.
2. If damage is found, immediately remove the SRLB from service and replace with a new SRLB.

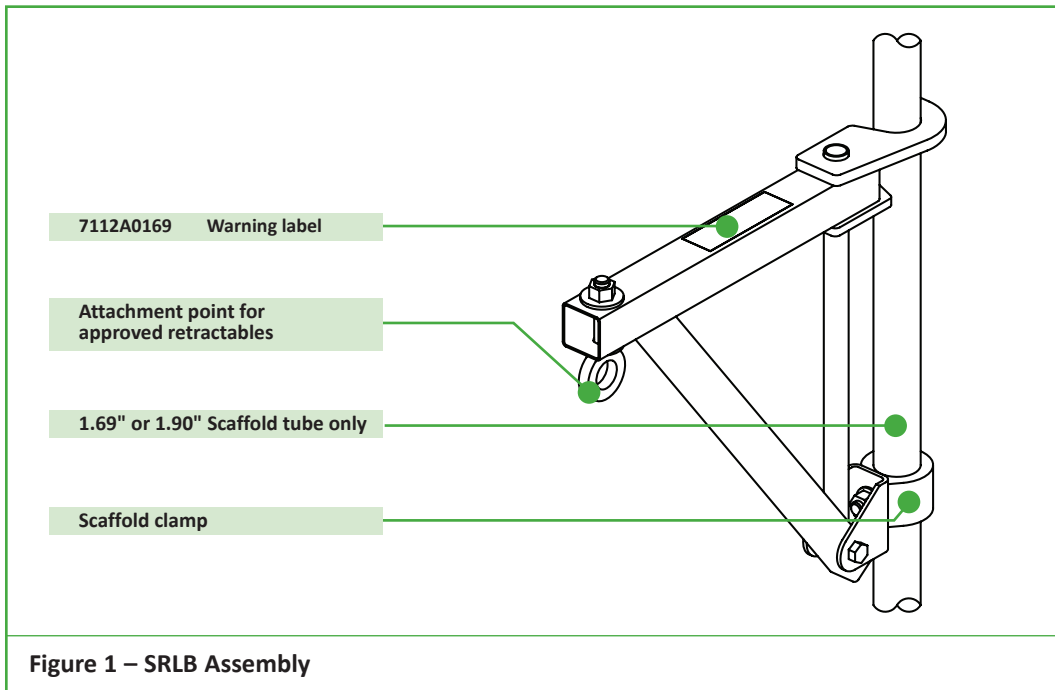
### Approved Retractable

Tractel® Fallstop Model Numbers

- VSERT\_G Series
- VSERT\_S Series
- VSERT\_R Series

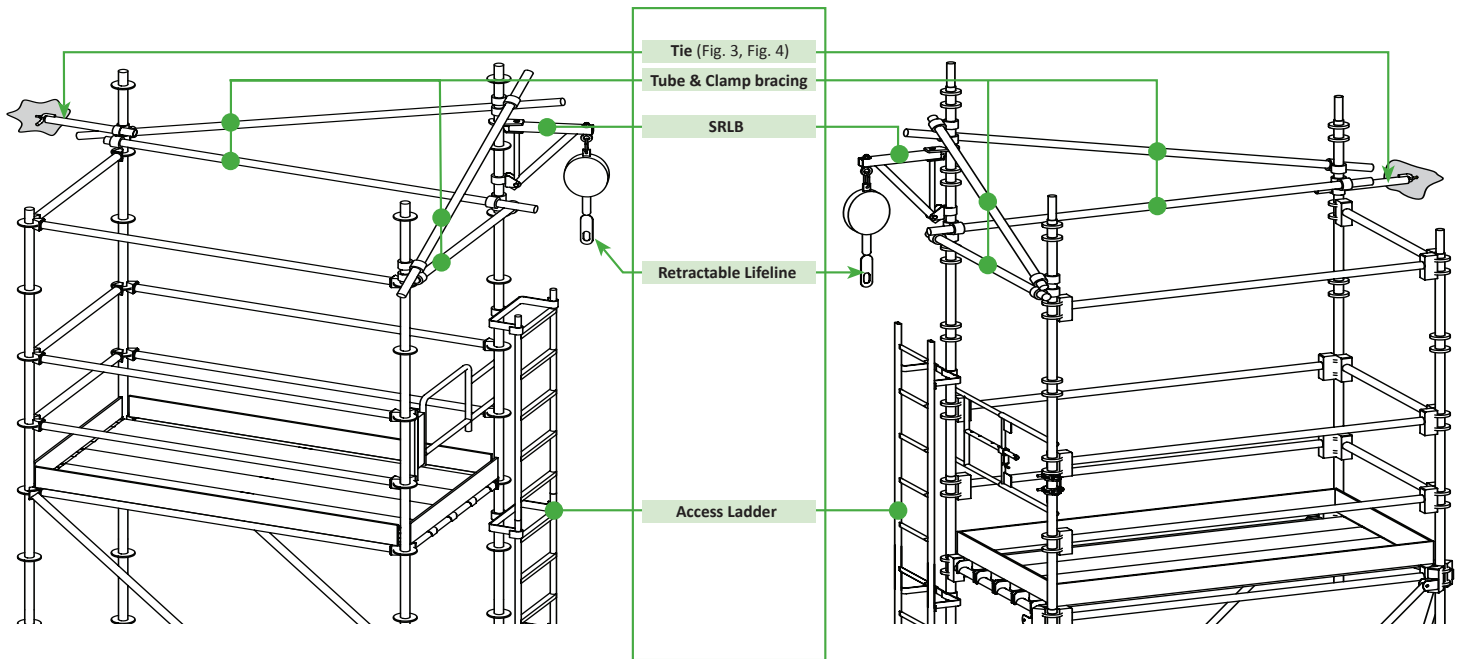
Retractable Lifeline to be installed and operated per Tractel® Fallstop Blocfor™ Use and Maintenance Instructions (3912BLO). Tractel can be reached at (800) 561-3229 or by e-mail at [fallstop@tractel.com](mailto:fallstop@tractel.com)

For evaluation of retractable lifelines not listed, contact the Safway Engineering Department.

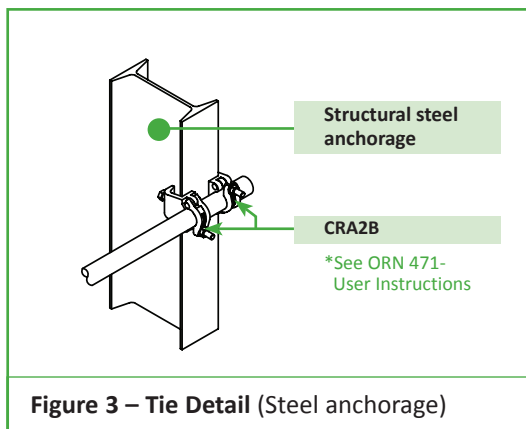


## Scaffold Bracing Installation

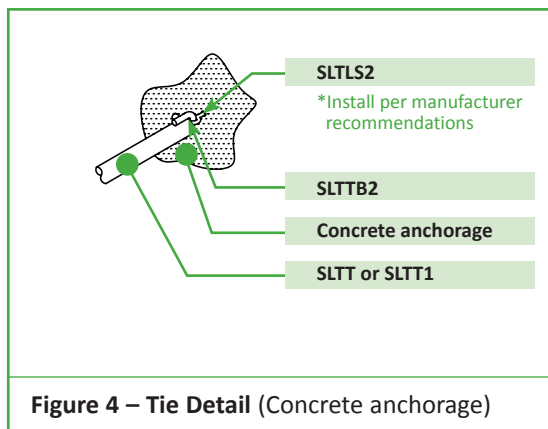
1. Erect scaffold as required by OSHA, CAN/CSA and Safway® instructional materials, available from Safway.
2. Make sure all coupling pin snap buttons or other locking devices are engaged.
3. Install Tube & Clamp bracing as shown.
4. Install anchors (Fig. 3 and Fig. 4). For tying options not shown, contact the Safway Engineering Department.
5. Install SRLB, torque clamp bolt to approximately 45 ft. lbs.
6. Retractable Lifeline is to be installed using appropriate connector and operated per Tractel® Fallstop Blocfor™ Use and Maintenance Instructions.



**Figure 2 – General Configuration** (SafLock and Systems™ Scaffold shown for illustrative purposes.)



**Figure 3 – Tie Detail** (Steel anchorage)



**Figure 4 – Tie Detail** (Concrete anchorage)

All drawings on this sheet are for illustrative purposes only. This sheet is intended for general information purposes only. Because of the many variables which affect the performance of the product line, some of the information in this brochure may not apply. For specific applications, contact Safway.

Note: All scaffolds shall be erected, modified and dismantled only under the supervision of a Competent Person. Erection, use, maintenance and disassembly must conform to current manufacturer's instructions as well as all federal, state, provincial and local regulations. Copies of complete Safety Guidelines for these and other products are available from Safway without charge.

**Safway Group Holding, LLC**  
Corporate Headquarters  
N19 W24200 Riverwood Drive  
Waukesha, WI 53188  
Toll free: (800) 558-4772  
Telephone: (262) 523-6500

**Safway Services Canada, ULC**  
11237 – 87 Avenue  
Fort Saskatchewan, Alberta T8L 2S3 Canada  
Toll free: (866) 842-4424  
Telephone: (780) 992-1929

For a list of branch locations in the United States and Canada, visit our website at [www.safway.com](http://www.safway.com)

©2013 Safway Services, LLC. All rights reserved.

ORN 254 Rev. D 1/13

**SYS**